



ATEX
100a Directive
94/9/EC



ETS



ATEX
100a Directive
94/9/EC

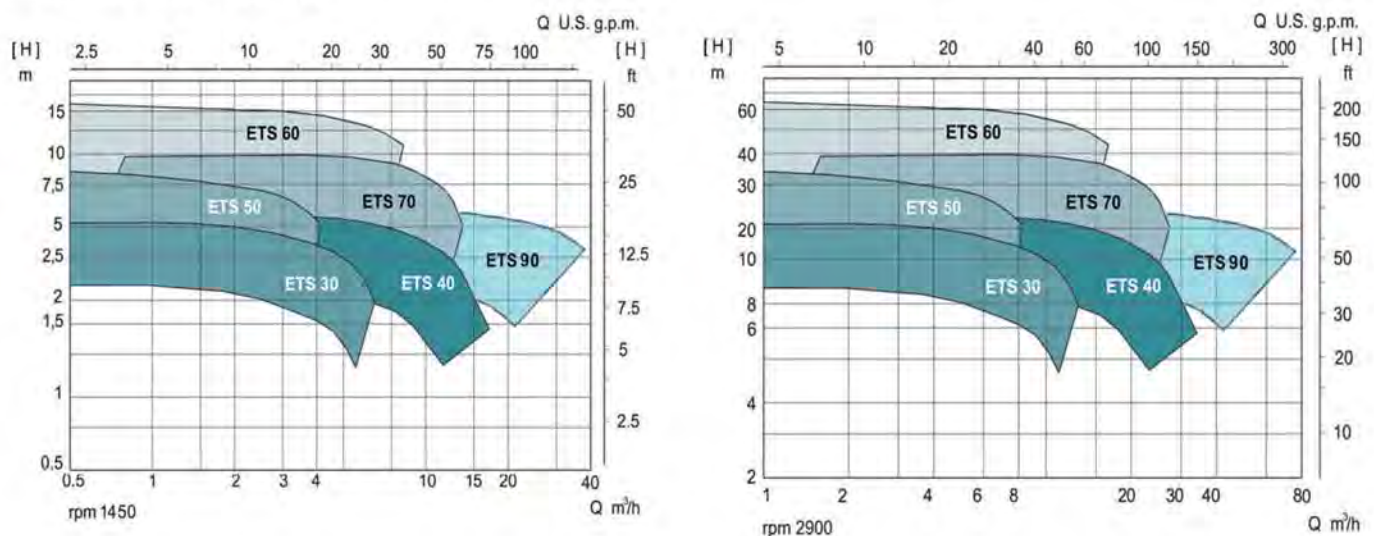
The new ETS range of pumps are single stage, magnetic drive, centrifugal pumps in close-coupled execution. The AISI 316L stainless steel components are investment casted, while the magnets, in neodymium-iron-boron, grant the optimum efficiency of the magnetic coupling for temperatures up to +140°C as well as for use with heavy liquids. All pumps comply with the recent "ATEX100a" directive.

The Silicon Carbide (SiC) bearing assembly allows the units to handle particularly aggressive, corrosive and abrasive liquids with maximum MTBPM (Mean Time Between Planned Maintenance). "Standardisation of components" is a key design feature of CDR pumps, making stock holding requirements minimal.

The mag-drive coupling ensuring zero leakage of liquid or vapor to the atmosphere, making pumps particularly environmentally friendly, and also ensuring low maintenance costs during the pumps operational life.

The closed-coupled execution makes the ETS pump very compact, silent and safe not requiring particularly experienced operators. The ETS pump is a very convenient pump that can be installed also for heavy duties, vacuum or pressurized systems.

PERFORMANCE CURVES



C.D.R. Pompe S.p.A. Via P. Togliatti 26/A 20030-Senago (Mi)

Tel. : +39 02 9901941 Fax: +39 02 9980606 Web: www.cdrpompe.com e-mail: exportsales@cdrpompe.com

This document is exclusive property of C.D.R. Pompe S.p.A. The same cannot be transferred to any third part without prior C.D.R. Pompe S.p.A. written authorization
Improvements and/or changes to this document may be made by C.D.R. Pompe S.p.A. at any time without notice

FEATURES AND APPLICATIONS	DESCRIPTION
Pump type	Centrifugal pump in close coupled frame B5
Materials	AISI 316L (standard) - Hastelloy-C (optional)
Handled liquids	Corrosive, inflammable and toxic liquids
Hydraulic performances	Q max=60 m ³ /h H=64m
Drives	from 1,1 kW (gr. 80) to 7.5 kW (gr. 132)
Temperature range	from -70 °C to +140 °C
System pressure ratings	from PN10 to PN40
Viscosity	450 cSt max
Solids	5% max concentration in weight
.	Hardness max 800 Vk
.	Size max 200 µm

C.D.R. Pompe S.p.A. Via P. Togliatti 26/A 20030-Senago (Mi)

Tel. : +39 02 9901941 Fax: +39 02 9980606 Web: www.cdrpompe.com e-mail: exportsales@cdrpompe.com

This document is exclusive property of C.D.R. Pompe S.p.A. The same cannot be transferred to any third part without prior C.D.R. Pompe S.p.A. written authorization

Improvements and/or changes to this document may be made by C.D.R. Pompe S.p.A. at any time without notice

Pump Size	Casing	Isolation shell	Shaft	Impeller	Rotating bushing	Lantern	Bushing support	Gasket
	102	151	211	230	317	341	350	400,1
30	9180/01/OM08	9180/C5/OM09	-	9180/24/OM08	9210/10/OM72	9180/16/OM18	9180/02/OM08	5280/08/OM-
40	9182/01/OM08	9180/C5/OM09	-	9182/04/OM08	9210/10/OM72	9180/16/OM18	9180/02/OM08	5280/08/OM-
50	BT21671-M08	9180/C5/OM09	9184/01/OM08	9184/12/OM08	9210/10/OM72	9184/04/OM18	9184/02/OM08	5280/08/OM-
60	BT22071-M08	9180/C5/OM09	9184/01/OM08	9186/09/OM08	9210/10/OM72	9184/04/OM18	9186/01/OM08	5280/08/OM-
70	BT31671-M08	9180/C5/OM09	9184/01/OM08	9210/20/OM08	9210/10/OM72	9184/04/OM18	9184/02/OM08	5280/08/OM-
90	BT52571-M08	9180/C5/OM09	9184/01/OM08	9230/07/OM08	9210/10/OM72	9184/04/OM18	9184/02/OM08	5280/08/OM-

Pump Size	Bushing gasket	Casing gasket	Lantern flange	Safety ring	Rotating bushing	Static bushing	Impeller nut	Nut
	400,2	400,3	500,1	502	529	545	922	920,1
30	9210/17/OM44	5280/08/OM-	-	9420/15/OM26	9200/02/OM72	9210/09/OM	-	2040/16M07
40	9210/17/OM44	5280/08/OM-	-	9420/15/OM26	9200/02/OM72	9210/09/OM	-	2040/16M07
50	9210/17/OM44	9210/18/OM-	9184/07/OM02	9420/15/OM26	9200/02/OM72	9210/09/OM	9210/12/OM08	-
60	9210/17/OM44	9250/06/OM-	9186/04/OM02	9420/15/OM26	9200/02/OM72	9210/09/OM	9210/12/OM08	-
70	9210/17/OM44	9210/18/OM-	9184/07/OM02	9420/15/OM26	9200/02/OM72	9210/09/OM	9210/12/OM08	-
90	9210/17/OM44	9210/18/OM-	9184/07/OM02	9420/15/OM26	9200/02/OM72	9210/09/OM	9210/12/OM08	-

Pump Size	Cup spring	Bushing flange	Gasket
	941	940,2	400,4
30	9210/13/OM08	9180/23/OM08	9180/29/OM44
40	9210/13/OM08	9180/23/OM08	9180/29/OM44
50	9210/13/OM08	9180/23/OM08	9180/29/OM44
60	9210/13/OM08	9180/23/OM08	9180/29/OM44
70	9180/13/OM08	9180/23/OM08	9180/29/OM44
90	9180/13/OM08	9180/23/OM08	9180/29/OM44

Motor size for ETS 30/40		Motor flange	Outer magnet	Inner magnet
		341,1	847,1	847,2
30/40	0,75 / 1,1 Kw =80	9420/10/OM02	9180/C1/AM31	9180/C2/OMA2
30/40	1,5 / 2,2 Kw =90	9420/10/OM02	9180/C1/BM31	9180/C2/OMA2
30/40	3 Kw = 100	9180/07/OM02	9180/C1/CM31	9180/C2/OMA2
30/40	4 Kw =112	9180/07/OM02	9180/C1/CM31	9180/C2/OMA2

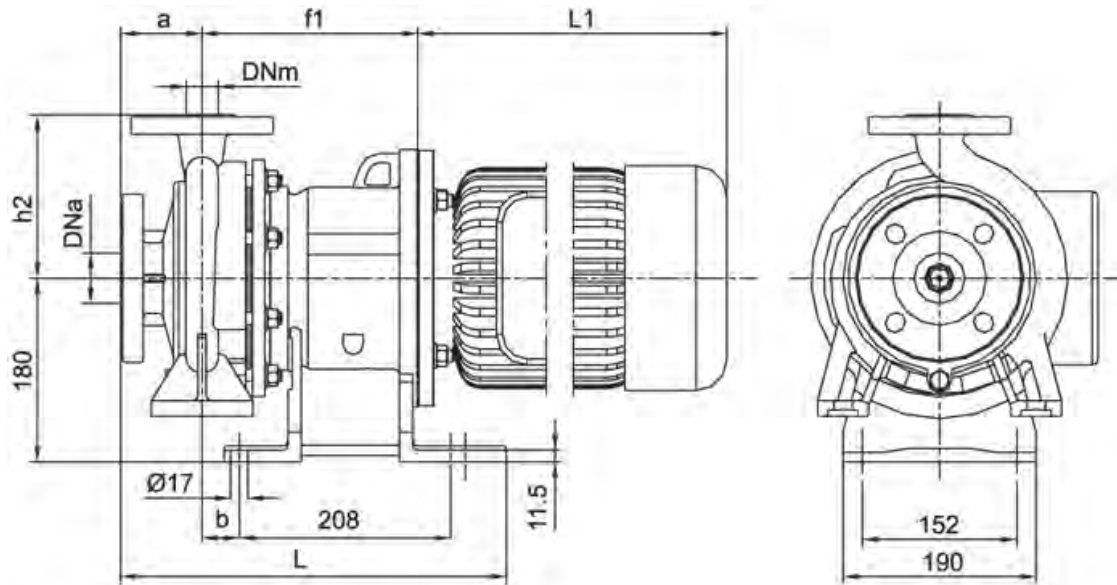
Motor size for ETS 50/60/70		341,1	847,1	847,2
		Motor flange	Outer magnet	Inner magnet
50/60/70/90	1,5 / 2,2 Kw = 90	9420/10/OM02	9180/C1/BM31	9184/C2/OMA2
50/60/70/90	3 Kw = 100	-	9180/C1/CM31	9184/C2/OMA2
50/60/70/90	4 Kw =112	-	9180/C1/CM31	9184/C2/OMA2
50/60/70/90	5,5 / 7,5 Kw =132	9425/03/OM02	9429/C1/OM31	9184/C2/OMA2

C.D.R. Pompe S.p.A. Via P. Togliatti 26/A 20030-Senago (Mi)

Tel. : +39 02 9901941 Fax: +39 02 9980606 Web: www.cdrpompe.com e-mail: exportsales@cdrpompe.com

This document is exclusive property of C.D.R. Pompe S.p.A. The same cannot be transferred to any third part without prior C.D.R. Pompe S.p.A. written authorization

Improvements and/or changes to this document may be made by C.D.R. Pompe S.p.A. at any time without notice



General dimensions

Pump type	Dna	DNm	a	b	h2	L	Motor size	f1	L1	
									TEFC	Eex
ETS 30	32	25	52	20	121	335	80/90	195,5	233/256	290/336
ETS 30	32	25	52	20	121	335	100/112	212	314/323	366/415
ETS 40	40	32	78	22	146	362	80/90	197,5	233/256	290/336
ETS 40	40	32	78	22	146	362	100/112	214	314/323	366/415
ETS 50	40	25	100	36,5	165	400	90/100/112	212	256/314/323	336/366/415
ETS 50	40	25	100	36,5	165	400	132	230	400	503
ETS 60	40	25	80	36,5	180	380	90/100/112	212	256 / 314 / 323	336 / 366 /415
ETS 60	40	25	80	36,5	180	380	132	230	400	503
ETS 70	50	32	80	36,5	160	380	90/100/112	212	256 / 314 / 323	336 / 366 /415
ETS 70	50	32	80	36,5	160	380	132	230	400	503
ETS 90	80	50	100	36,5	160	400	90/100/112	212	256 / 314 / 323	336 / 366 /415
ETS 90	80	50	100	36,5	160	400	132	230	400	503

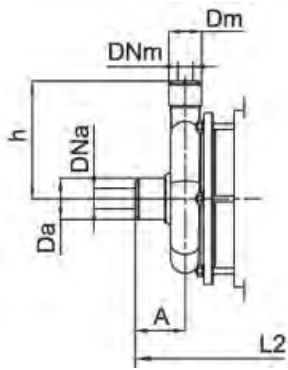
Weight

Pump type	Pump weight (Kg)	Motor frame	Motor size	Motor weight (Kg)	
				TEFC	Eex
ETS 30	35	B5	80	15	20
ETS 40	38	B5	90	20	30
ETS 50	45	B5	100	36	40
ETS 60	50	B5	112	45	65
ETS 70	55	B5	132	70	80
ETS 90	60	B5	132	70	80

C.D.R. Pompe S.p.A. Via P. Togliatti 26/A 20030-Senago (Mi)

Tel. : +39 02 9901941 Fax: +39 02 9980606 Web: www.cdrpompe.com e-mail: exportsales@cdrpompe.com

This document is exclusive property of C.D.R. Pompe S.p.A. The same cannot be transferred to any third part without prior C.D.R. Pompe S.p.A. written authorization
Improvements and/or changes to this document may be made by C.D.R. Pompe S.p.A. at any time without notice

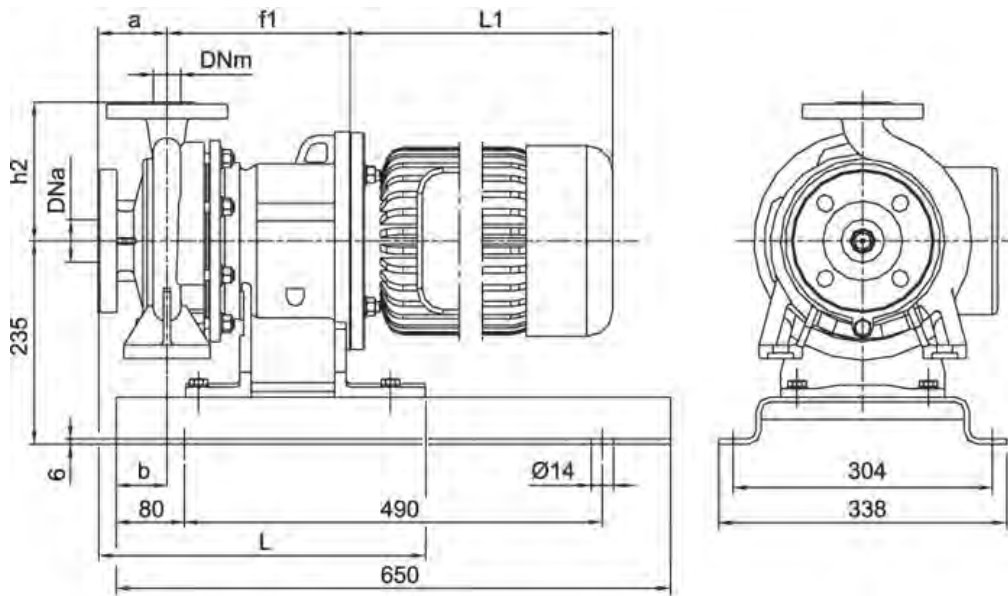


Pump type	A	h	Da	Dm	L2
ETS 30	51	120	G 1" 1/4	G 1"	334
ETS 40	77	145	G 1" 1/2	G 1"	361

C.D.R. Pompe S.p.A. Via P. Togliatti 26/A 20030-Senago (Mi)

Tel. : +39 02 9901941 Fax: +39 02 9980606 Web: www.cdrpompe.com e-mail: exportsales@cdrpompe.com

This document is exclusive property of C.D.R. Pompe S.p.A. The same cannot be transferred to any third part without prior C.D.R. Pompe S.p.A. written authorization
Improvements and/or changes to this document may be made by C.D.R. Pompe S.p.A. at any time without notice



General dimensions

Pump type	Dna	DNm	a	b	h2	L	Motor size	f1	L1	
									TEFC	Eex
ETS 30	32	25	52	76,5	121	335	80/90	195,5	233/256	290/336
ETS 30	32	25	52	76,5	121	335	100/112	212	314/323	366/415
ETS 40	40	32	78	74,5	146	362	80/90	197,5	233/256	290/336
ETS 40	40	32	78	74,5	146	362	100/112	214	314/323	366/415
ETS 50	40	25	100	60	165	400	90/100/112	212	256/314/323	336/366/415
ETS 50	40	25	100	60	165	400	132	230	400	503
ETS 60	40	25	80	60	180	380	90/100/112	212	256 / 314 / 323	336 / 366 /415
ETS 60	40	25	80	60	180	380	132	230	400	503
ETS 70	50	32	80	60	160	380	90/100/112	212	256 / 314 / 323	336 / 366 /415
ETS 70	50	32	80	60	160	380	132	230	400	503
ETS 90	80	50	100	36,5	160	400	90/100/112	212	256 / 314 / 323	336 / 366 /415
ETS 90	80	50	100	36,5	160	400	132	230	400	503

Weight

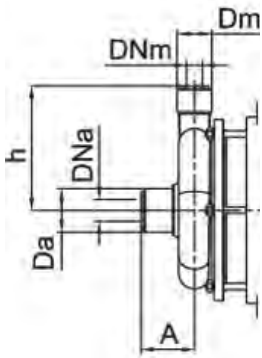
Pump type	Pump weight (Kg)	Motor frame	Motor size	Motor weight (Kg)	
				TEFC	Eex
ETS 30	35	B5	80	15	20
ETS 40	38	B5	90	20	30
ETS 50	45	B5	100	36	40
ETS 60	50	B5	112	45	65
ETS 70	55	B5	132	70	80
ETS 90	60	B5	132	70	80

Baseplate weight (Kg)
15

C.D.R. Pompe S.p.A. Via P. Togliatti 26/A 20030-Senago (Mi)

Tel. : +39 02 9901941 Fax: +39 02 9980606 Web: www.cdrpompe.com e-mail: exportsales@cdrpompe.com

This document is exclusive property of C.D.R. Pompe S.p.A. The same cannot be transferred to any third part without prior C.D.R. Pompe S.p.A. written authorization. Improvements and/or changes to this document may be made by C.D.R. Pompe S.p.A. at any time without notice.



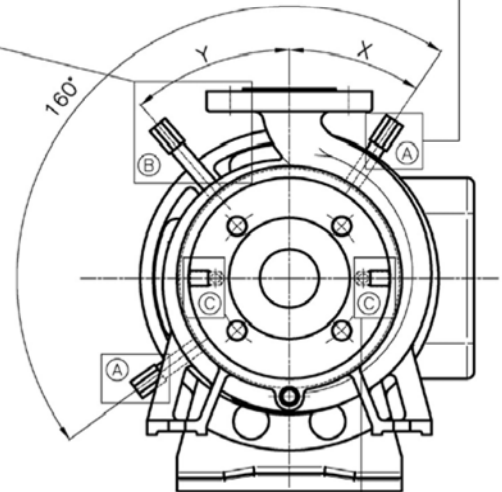
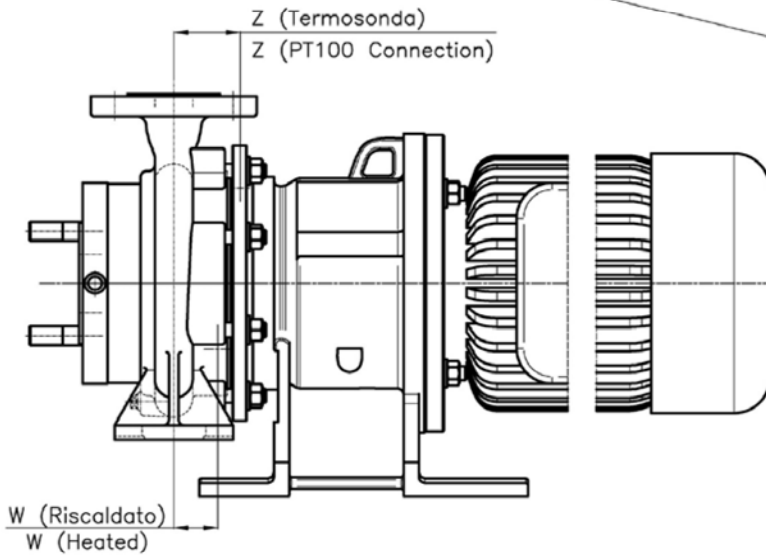
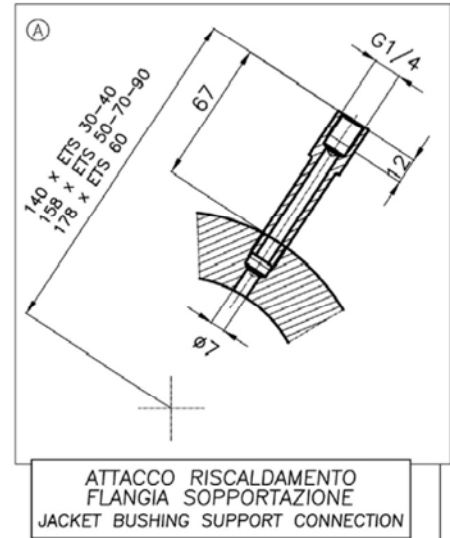
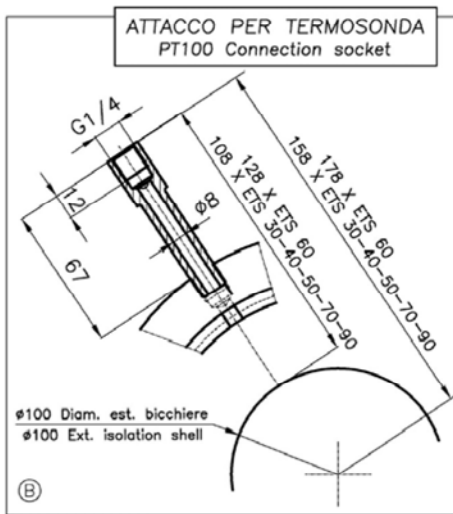
Pump type	A	h	Da	Dm
ETS 30	51	120	G 1" 1/4	G 1"
ETS 40	77	145	G 1" 1/2	G 1"

C.D.R. Pompe S.p.A. Via P. Togliatti 26/A 20030-Senago (Mi)

Tel. : +39 02 9901941 Fax: +39 02 9980606 Web: www.cdrpompe.com e-mail: exportsales@cdrpompe.com

This document is exclusive property of C.D.R. Pompe S.p.A. The same cannot be transferred to any third part without prior C.D.R. Pompe S.p.A. written authorization

Improvements and/or changes to this document may be made by C.D.R. Pompe S.p.A. at any time without notice



C.D.R. Pompe S.p.A. Via P. Togliatti 26/A 20030-Senago (Mi)

Tel. : +39 02 9901941 Fax: +39 02 9980606 Web: www.cdrpompe.com e-mail: exportsales@cdrpompe.com

This document is exclusive property of C.D.R. Pompe S.p.A. The same cannot be transferred to any third part without prior C.D.R. Pompe S.p.A. written authorization. Improvements and/or changes to this document may be made by C.D.R. Pompe S.p.A. at any time without notice.

A=Bracket heating jacket

Pump type	Quota W	Start quota x
ETS 40	40	40°
ETS 50	36	35°
ETS 60	34.5	35°
ETS 70	36	35°
ETS 90	36	35°
ETS 30	37.5	40°

B=PT100 Connection socket

Pump type	Quota Z	Start quota y
ETS 40	62	45°
ETS 50	59.5	45°
ETS 60	59.5	60°
ETS 70	59.5	45°
ETS 90	59.5	45°
ETS 30	59.5	45°

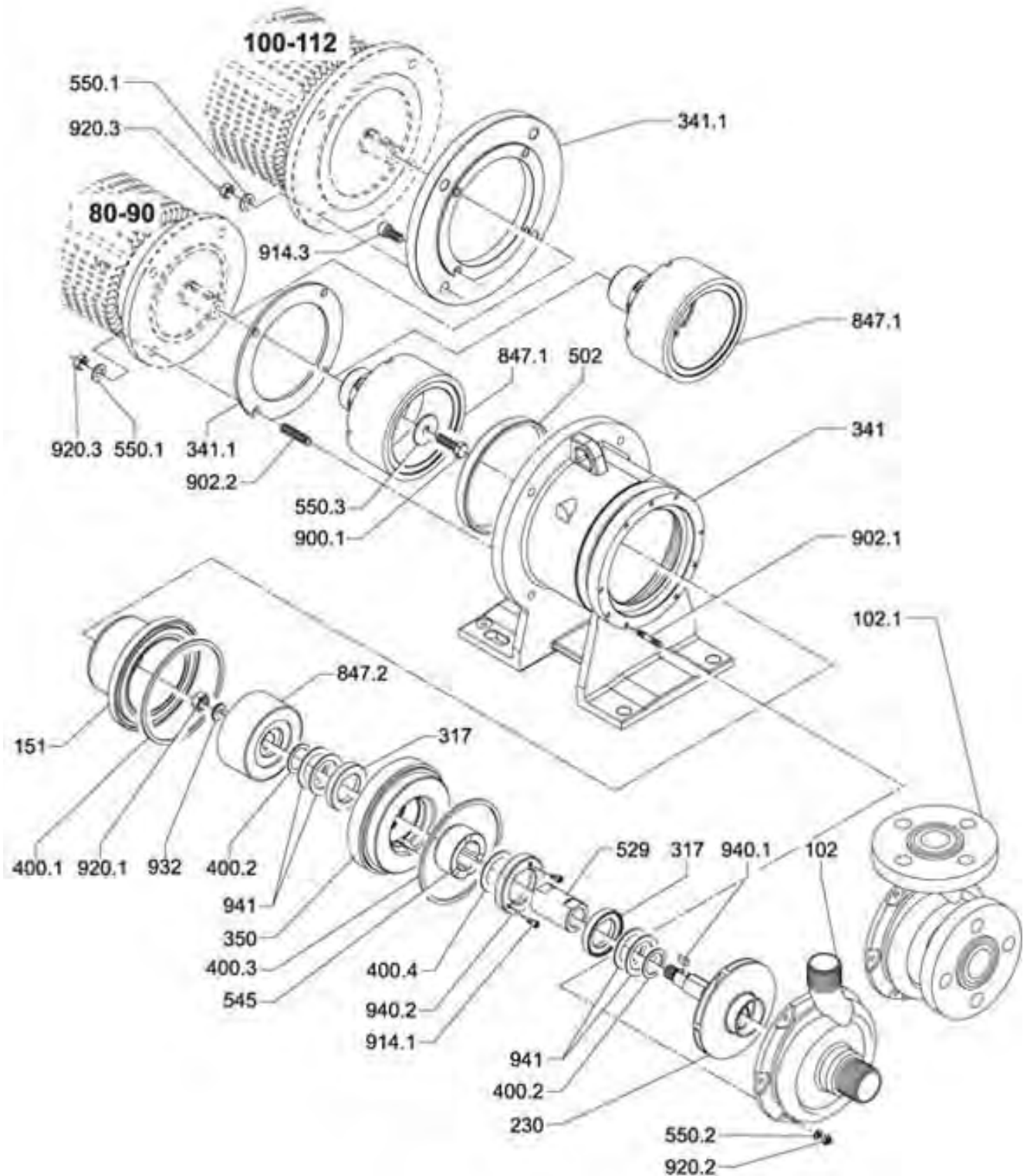
C=Casing heating jacket

Pump type	Q UNI PN 16	R ANSI 150
ETS 40	75	63.5
ETS 50	85	85
ETS 60	85	85
ETS 70	85	85
ETS 90	105	105
ETS 30	70	59

C.D.R. Pompe S.p.A. Via P. Togliatti 26/A 20030-Senago (Mi)

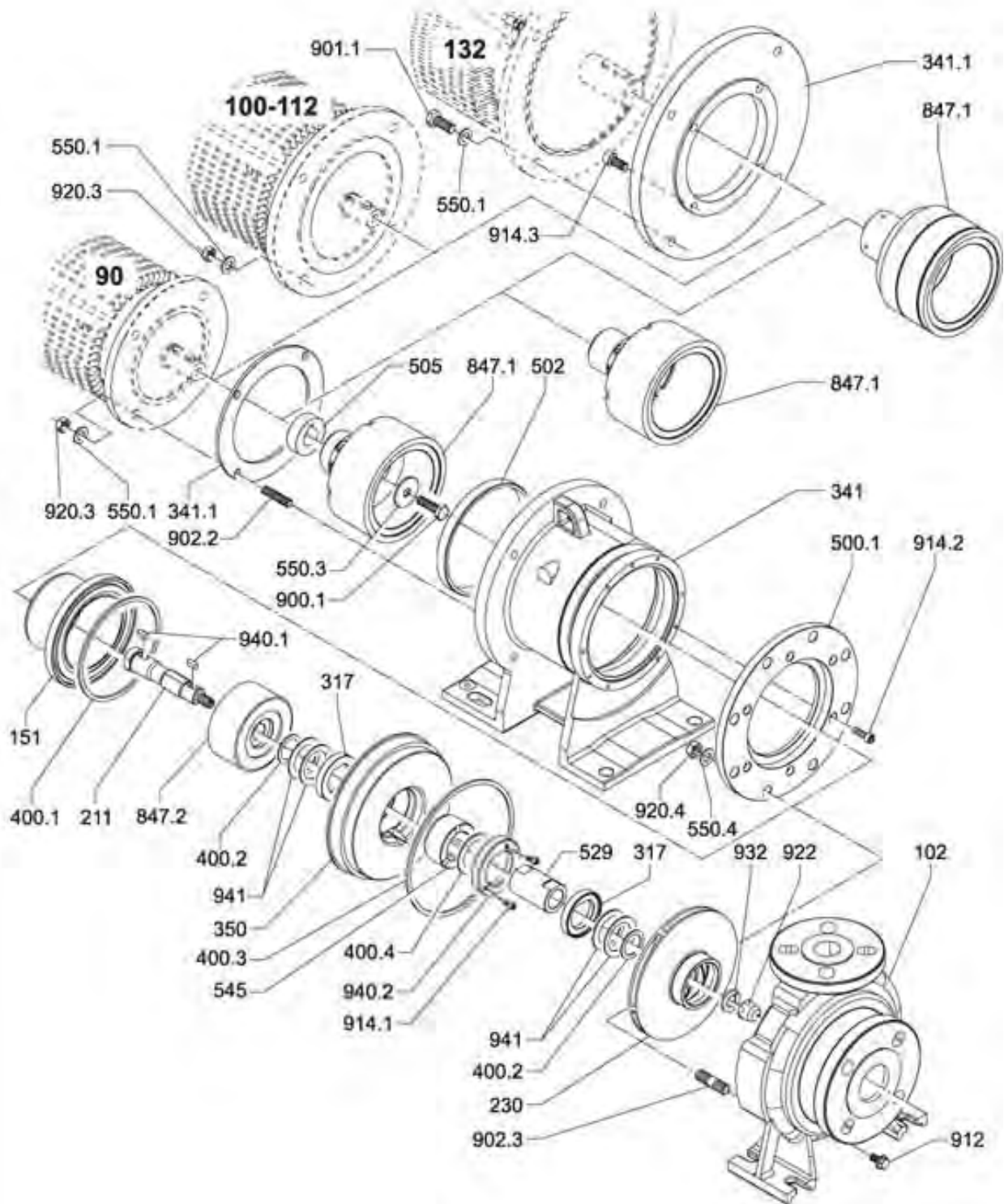
 Tel. : +39 02 9901941 Fax: +39 02 9980606 Web: www.cdrpompe.com e-mail: exportsales@cdrpompe.com

 This document is exclusive property of C.D.R. Pompe S.p.A. The same cannot be transferred to any third part without prior C.D.R. Pompe S.p.A. written authorization
Improvements and/or changes to this document may be made by C.D.R. Pompe S.p.A. at any time without notice



C.D.R. Pompe S.p.A. Via P. Togliatti 26/A 20030-Senago (Mi)

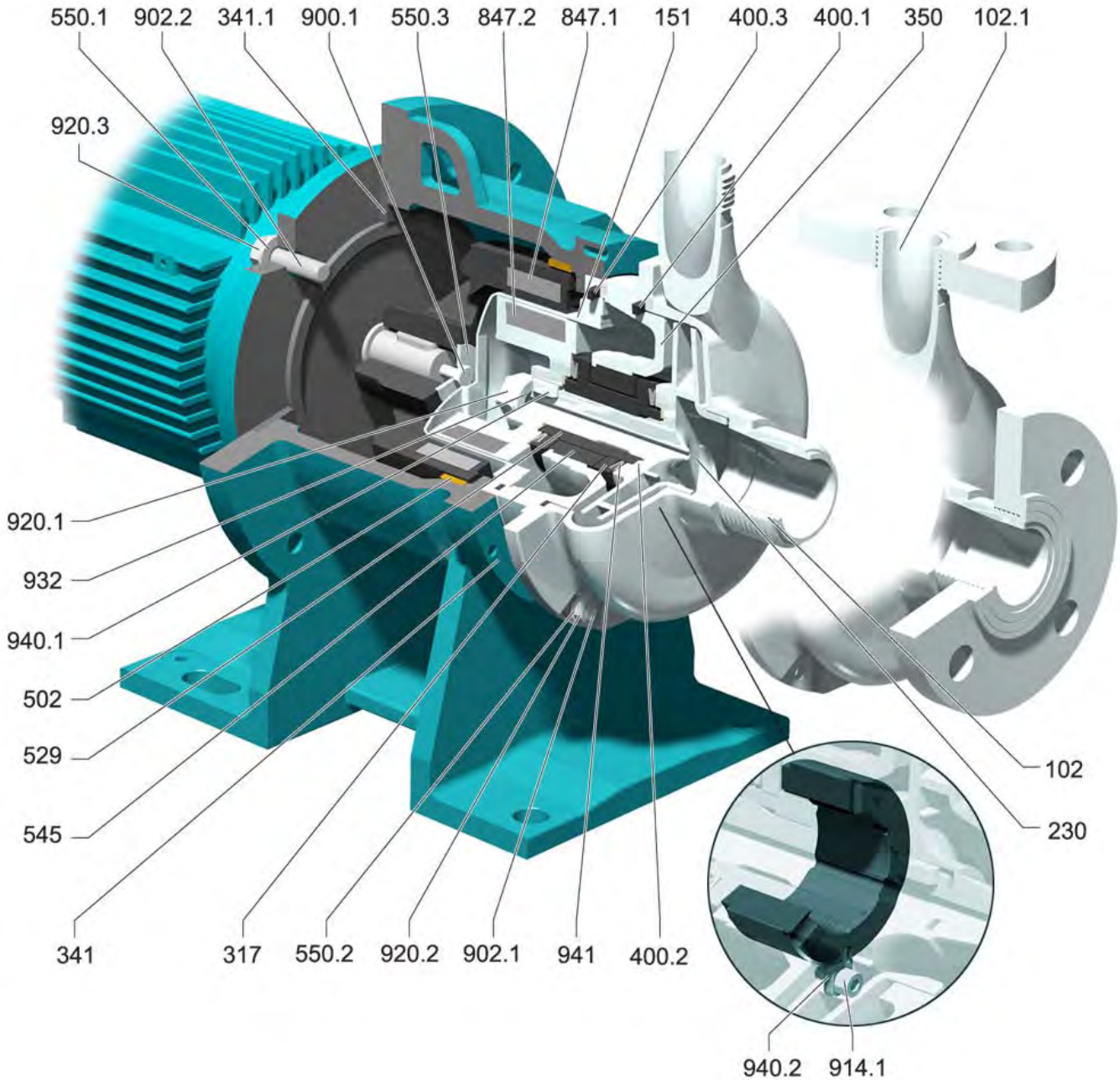
Tel. : +39 02 9901941 Fax: +39 02 9980606 Web: www.cdrpompe.com e-mail: exportsales@cdrpompe.com
 This document is exclusive property of C.D.R. Pompe S.p.A. The same cannot be transferred to any third part without prior C.D.R. Pompe S.p.A. written authorization
 Improvements and/or changes to this document may be made by C.D.R. Pompe S.p.A. at any time without notice



C.D.R. Pompe S.p.A. Via P. Togliatti 26/A 20030-Senago (Mi)

Tel. : +39 02 9901941 Fax: +39 02 9980606 Web: www.cdrpompe.com e-mail: exportsales@cdrpompe.com

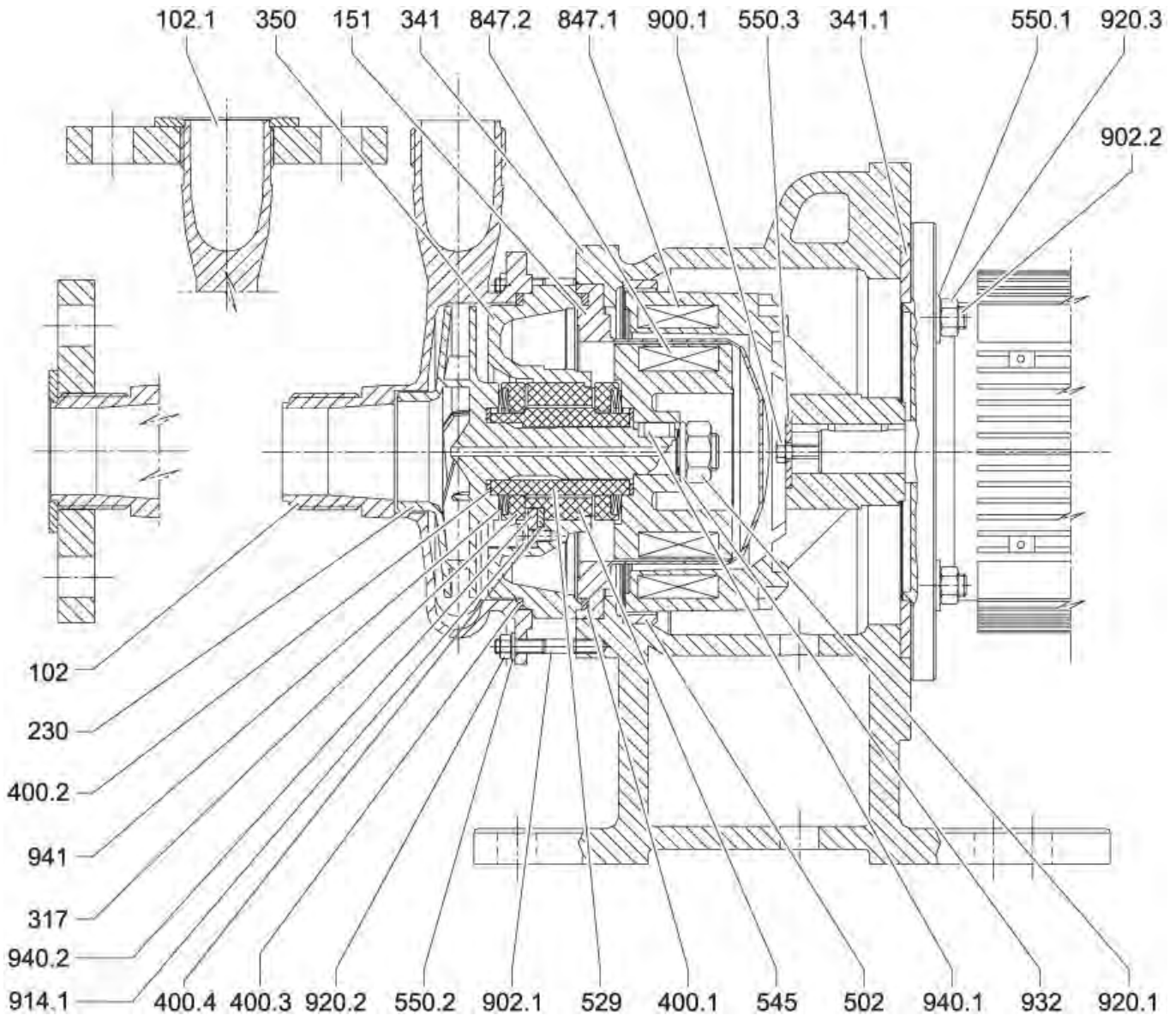
This document is exclusive property of C.D.R. Pompe S.p.A. The same cannot be transferred to any third part without prior C.D.R. Pompe S.p.A. written authorization
 Improvements and/or changes to this document may be made by C.D.R. Pompe S.p.A. at any time without notice



C.D.R. Pompe S.p.A. Via P. Togliatti 26/A 20030-Senago (Mi)

Tel. : +39 02 9901941 Fax: +39 02 9980606 Web: www.cdrpompe.com e-mail: exportsales@cdrpompe.com

This document is exclusive property of C.D.R. Pompe S.p.A. The same cannot be transferred to any third part without prior C.D.R. Pompe S.p.A. written authorization
Improvements and/or changes to this document may be made by C.D.R. Pompe S.p.A. at any time without notice



C.D.R. Pompe S.p.A. Via P. Togliatti 26/A 20030-Senago (Mi)

Tel. : +39 02 9901941 Fax: +39 02 9980606 Web: www.cdrpompe.com e-mail: exportsales@cdrpompe.com

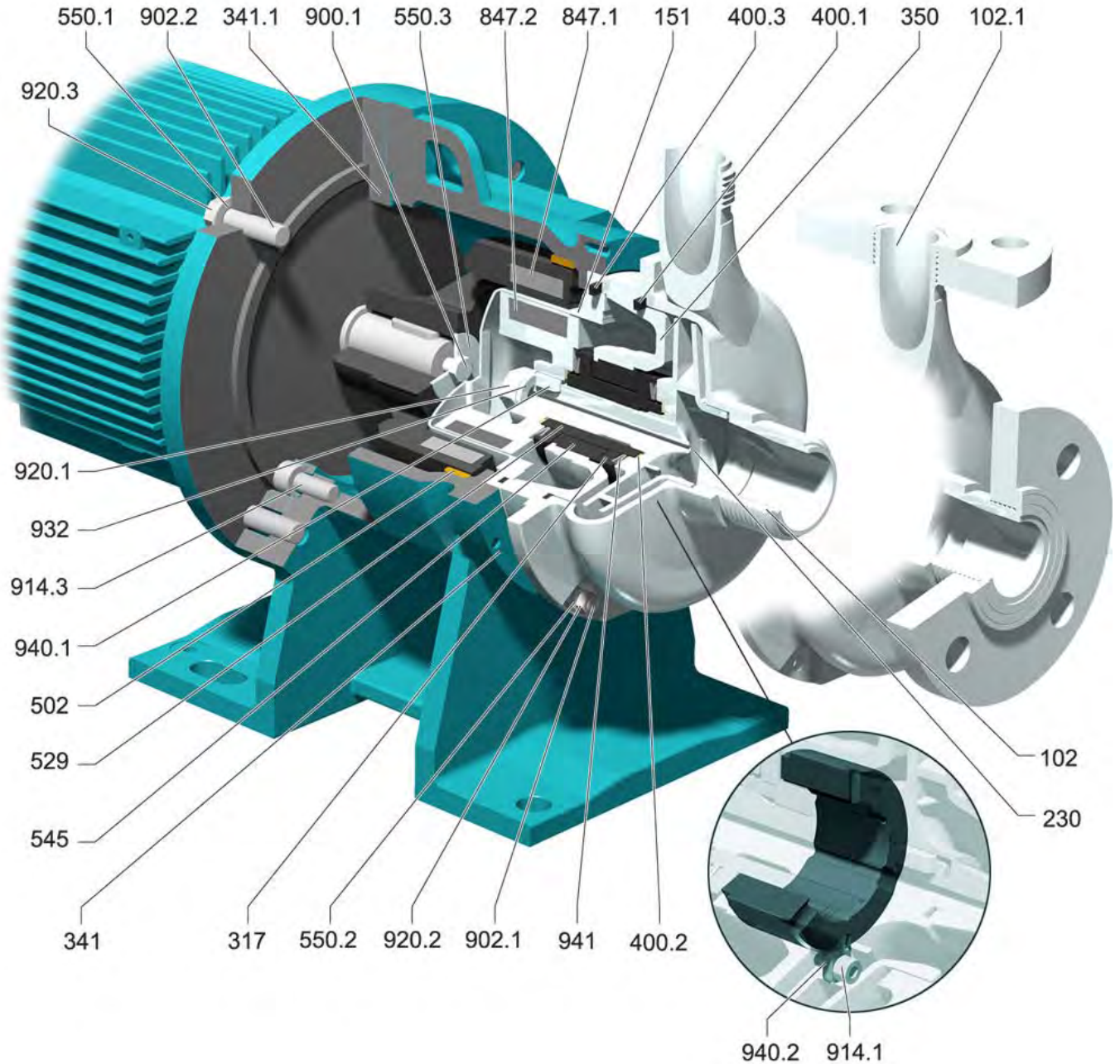
This document is exclusive property of C.D.R. Pompe S.p.A. The same cannot be transferred to any third part without prior C.D.R. Pompe S.p.A. written authorization
Improvements and/or changes to this document may be made by C.D.R. Pompe S.p.A. at any time without notice

Ref	Qty	Description	Materials
102	1	Pump casing	Aisi 316L / Hastelloy-C
102,1	1	Flanged casing	Aisi 316L / Hastelloy-C
151	1	Isolation shell	Aisi 316L / Hastelloy-C
230	1	Impeller	Aisi 316L / Hastelloy-C
317	2	Axial thrust shoe	SIC
341	1	Lantern	GS400-12 / Aisi 304
341,1	1	Motor flange	Carbon steel
350	1	Bearing support	Aisi 316L / Hastelloy-C
400,1	2	Gasket	PTFE / Grafoil
400,2	1	Bushing gasket	PTFE
400,3	1	Gasket	PTFE / Grafoil
400,4	1	Gasket	PTFE
502	1	Spark proof ring	Bronze
529	1	Rotating bushing	SIC
545	1	Static bushing	SIC / Grafite / Peek
550,1	4	Washer	Aisi 304
847,1	1	Outer magnetic core	NdFeB
847,2	1	Internal magnetic core	NdFeB + Aisi 316L / Hastelloy-C
900,1	1	Screw	Aisi 304
902,1	6	Threaded stud	Aisi 304
902,2	4	Threaded stud	Aisi 304
914,1	3	Screw	Aisi 316L
920,1	1	Nut	Aisi 316L
920,2	6	Nut	Aisi 304
920,3	4	Nut	Aisi 304
932	1	Spring washer	Aisi 316L / Hastelloy-C
940,1	1	Key	Aisi 316L / Hastelloy-C
940,2	1	Bushing flange	Aisi 316L / Hastelloy-C
941	4	Cup spring	Aisi 316L / Hastelloy-C

C.D.R. Pompe S.p.A. Via P. Togliatti 26/A 20030-Senago (Mi)

Tel. : +39 02 9901941 Fax: +39 02 9980606 Web: www.cdrpompe.com e-mail: exportsales@cdrpompe.com

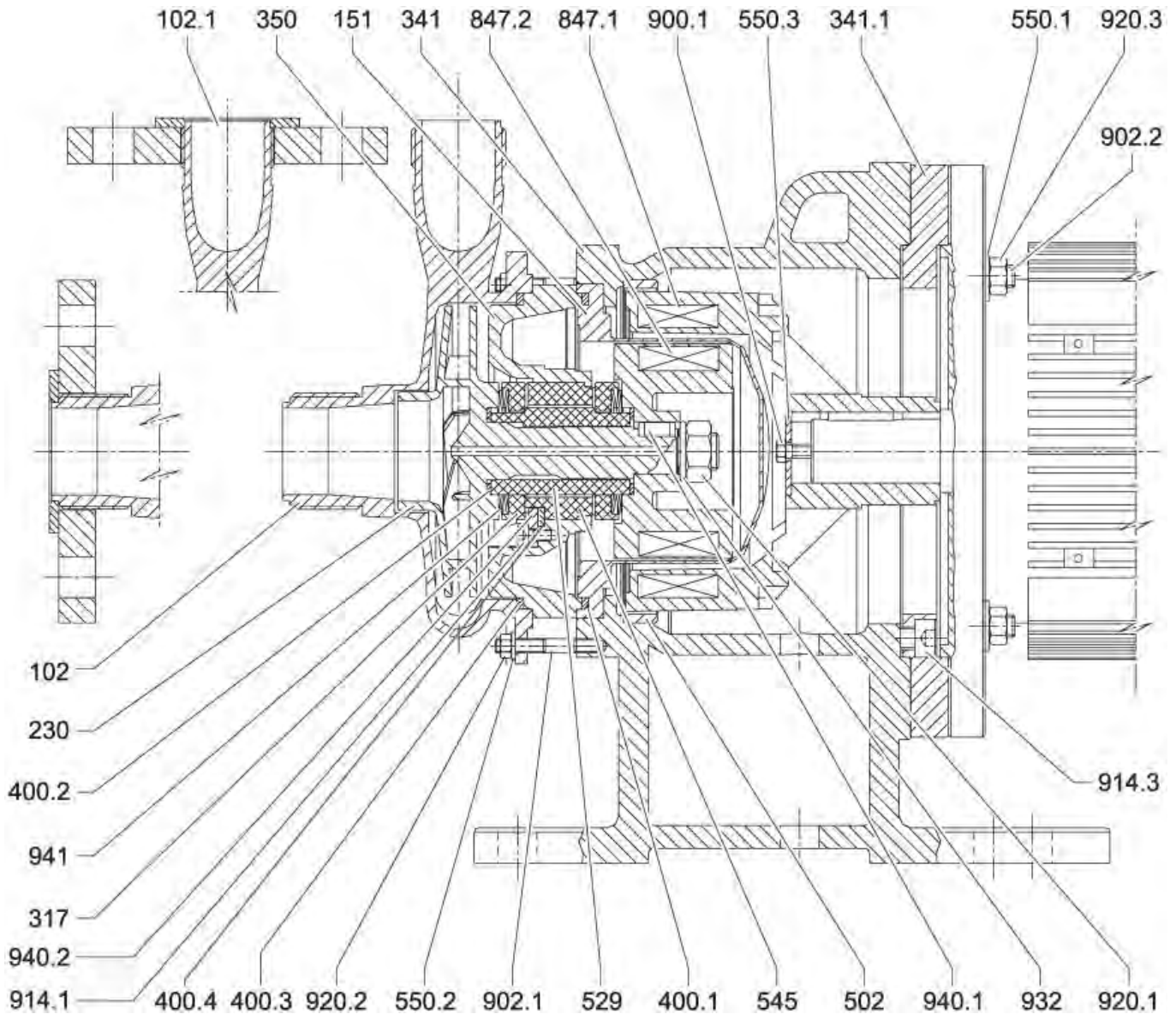
This document is exclusive property of C.D.R. Pompe S.p.A. The same cannot be transferred to any third part without prior C.D.R. Pompe S.p.A. written authorization
Improvements and/or changes to this document may be made by C.D.R. Pompe S.p.A. at any time without notice



C.D.R. Pompe S.p.A. Via P. Togliatti 26/A 20030-Senago (Mi)

Tel. : +39 02 9901941 Fax: +39 02 9980606 Web: www.cdrpompe.com e-mail: exportsales@cdrpompe.com

This document is exclusive property of C.D.R. Pompe S.p.A. The same cannot be transferred to any third part without prior C.D.R. Pompe S.p.A. written authorization
Improvements and/or changes to this document may be made by C.D.R. Pompe S.p.A. at any time without notice



C.D.R. Pompe S.p.A. Via P. Togliatti 26/A 20030-Senago (Mi)

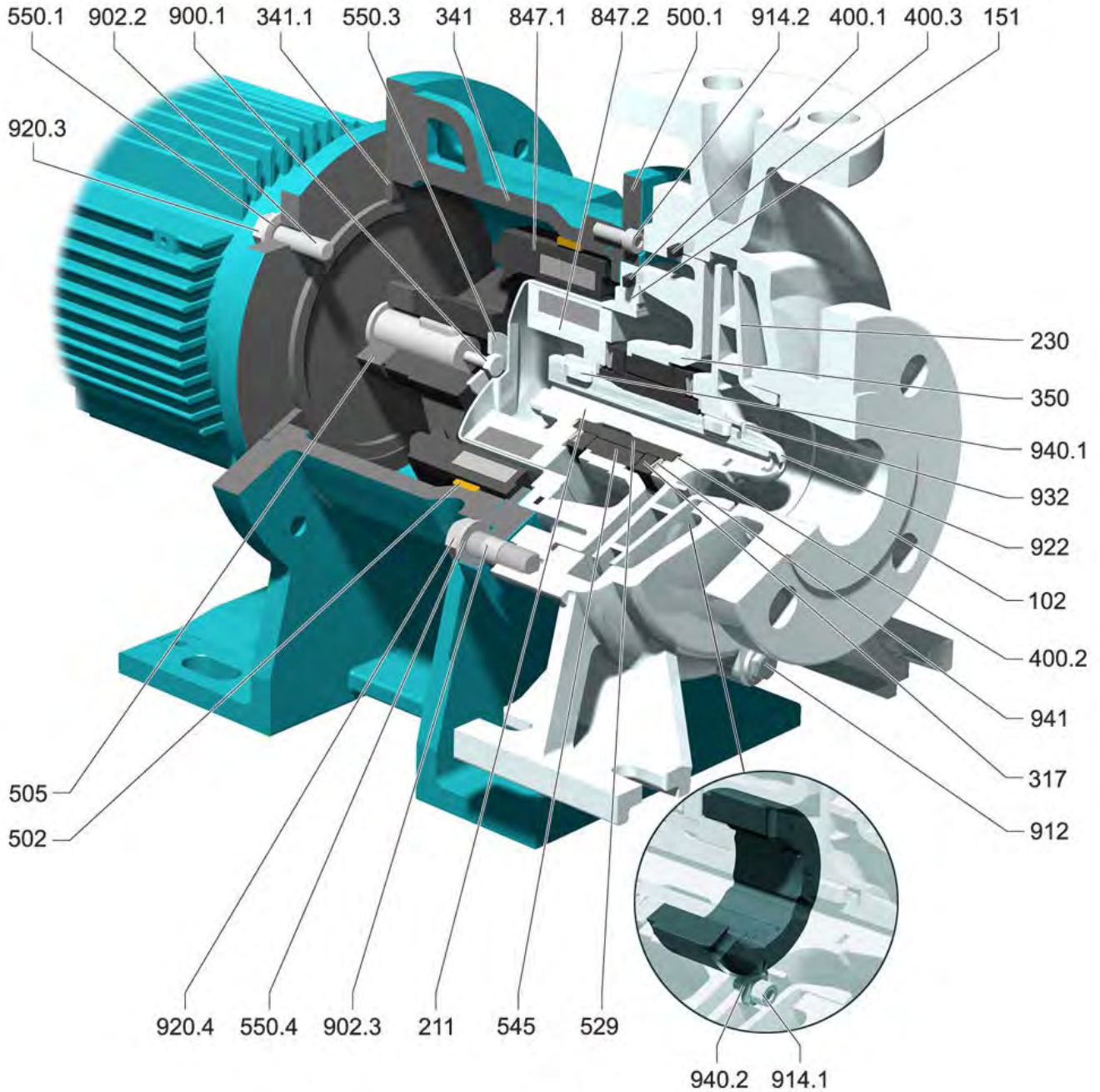
Tel. : +39 02 9901941 Fax: +39 02 9980606 Web: www.cdrpompe.com e-mail: exportsales@cdrpompe.com
 This document is exclusive property of C.D.R. Pompe S.p.A. The same cannot be transferred to any third part without prior C.D.R. Pompe S.p.A. written authorization
 Improvements and/or changes to this document may be made by C.D.R. Pompe S.p.A. at any time without notice

Ref	Qty	Description	Materials
102	1	Pump casing	Aisi 316L / Hastelloy-C
102,1	1	Flanged casing	Aisi 316L / Hastelloy-C
151	1	Isolation shell	Aisi 316L / Hastelloy-C
230	1	Impeller	Aisi 316L / Hastelloy-C
317	2	Axial thrust shoe	SIC
341	1	Lantern	GS400-12 / Aisi 304
341,1	1	Motor flange	Carbon steel
350	1	Bearing support	Aisi 316L / Hastelloy-C
400,1	2	Gasket	PTFE / Grafoil
400,2	1	Bushing gasket	PTFE
400,3	2	Gasket	PTFE / Grafoil
400,4	1	Gasket	PTFE
502	1	Spark proof ring	Bronze
529	1	Rotating bushing	SIC
545	1	Static bushing	SIC / Grafite / Peek
550,1	4	Washer	Aisi 304
550,2	6	Washer	Aisi 304
550,3	1	Washer	Aisi 304
847,1	1	Outer magnetic core	NdFeB
847,2	1	Internal magnetic core	NdFeB + Aisi 316L / Hastelloy-C
900,1	1	Screw	Aisi 304
902,1	6	Threaded stud	Aisi 304
902,2	4	Threaded stud	Aisi 304
914,1	3	Screw	Aisi 316L
914,3	4	Screw	Aisi 304
920,1	1	Nut	Aisi 316L
920,2	6	Nut	Aisi 304
920,3	4	Nut	Aisi 304
932	1	Spring washer	Aisi 316L / Hastelloy-C
940,1	1	Key	Aisi 316L / Hastelloy-C
940,2	1	Bushing flange	Aisi 316L / Hastelloy-C
941	4	Cup spring	Aisi 316L / Hastelloy-C

C.D.R. Pompe S.p.A. Via P. Togliatti 26/A 20030-Senago (Mi)

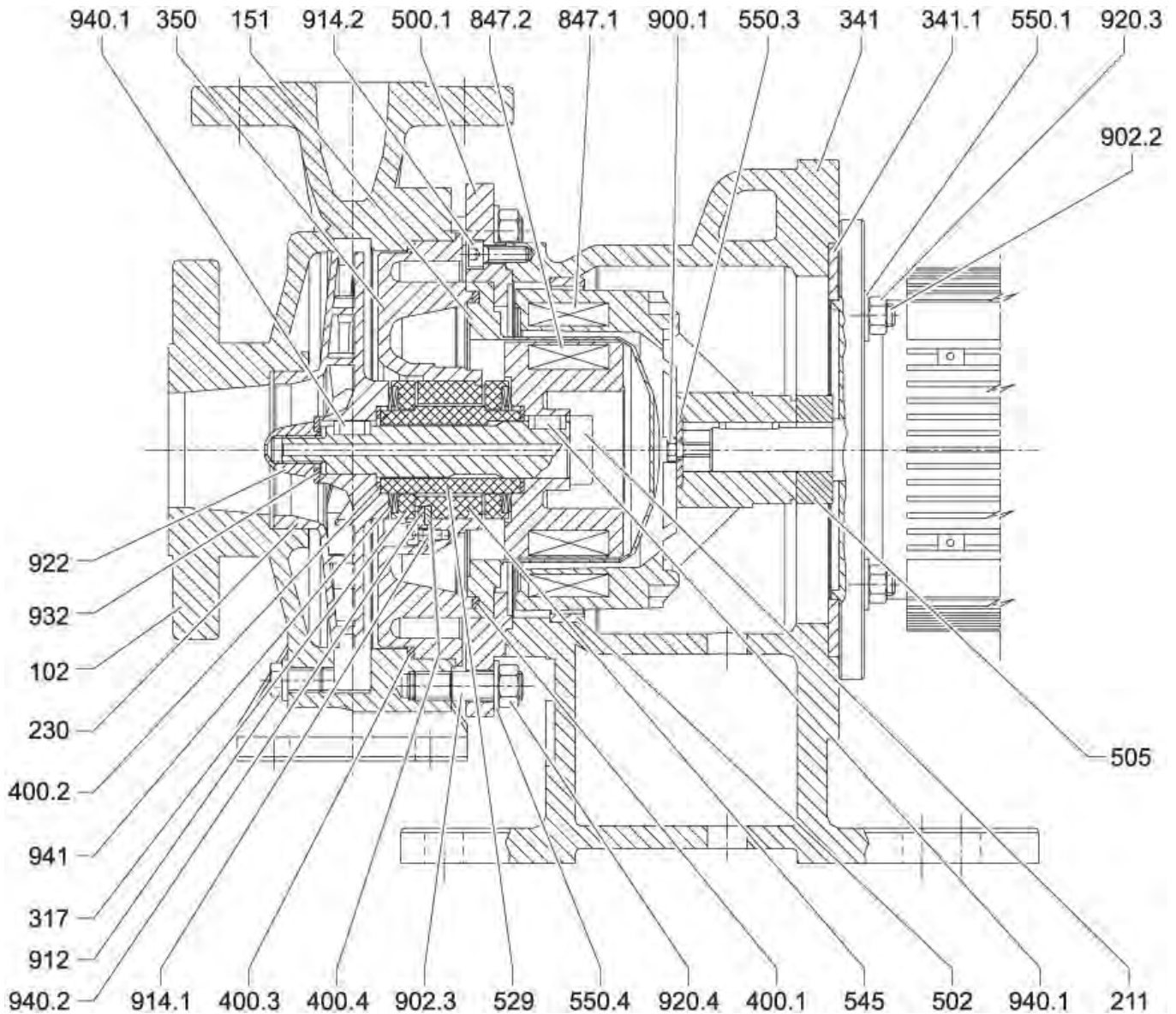
Tel. : +39 02 9901941 Fax: +39 02 9980606 Web: www.cdrpompe.com e-mail: exportsales@cdrpompe.com

This document is exclusive property of C.D.R. Pompe S.p.A. The same cannot be transferred to any third part without prior C.D.R. Pompe S.p.A. written authorization
Improvements and/or changes to this document may be made by C.D.R. Pompe S.p.A. at any time without notice



C.D.R. Pompe S.p.A. Via P. Togliatti 26/A 20030-Senago (Mi)

Tel. : +39 02 9901941 Fax: +39 02 9980606 Web: www.cdrpompe.com e-mail: exportsales@cdrpompe.com
This document is exclusive property of C.D.R. Pompe S.p.A. The same cannot be transferred to any third part without prior C.D.R. Pompe S.p.A. written authorization
Improvements and/or changes to this document may be made by C.D.R. Pompe S.p.A. at any time without notice



C.D.R. Pompe S.p.A. Via P. Togliatti 26/A 20030-Senago (Mi)

Tel. : +39 02 9901941 Fax: +39 02 9980606 Web: www.cdrpompe.com e-mail: exportsales@cdrpompe.com

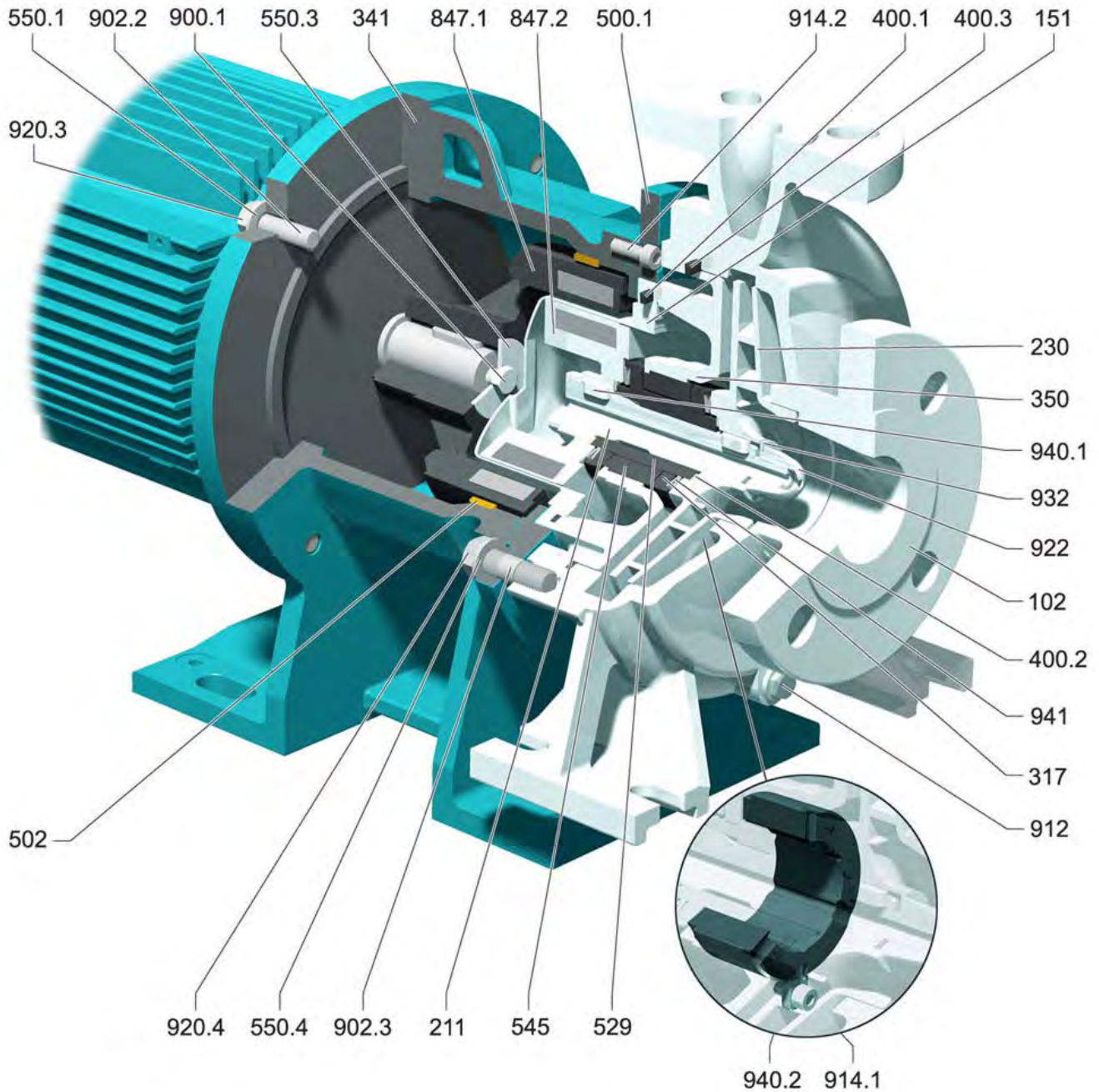
This document is exclusive property of C.D.R. Pompe S.p.A. The same cannot be transferred to any third part without prior C.D.R. Pompe S.p.A. written authorization
Improvements and/or changes to this document may be made by C.D.R. Pompe S.p.A. at any time without notice

Ref	Qty	Description	Materials
102	1	Pump casing	Aisi 316L / Hastelloy-C
151	1	Isolation shell	Aisi 316L / Hastelloy-C
211	1	Shaft	Aisi 316L / Hastelloy-C
230	1	Impeller	Aisi 316L / Hastelloy-C
317	2	Axial thrust shoe	SIC
341	1	Lantern	GS400-12 / Aisi 304
341,1	1	Motor flange	Carbon steel
350	1	Bearing support	Aisi 316L / Hastelloy-C
400,1	2	Gasket	PTFE / Grafoil
400,2	1	Bushing gasket	PTFE
400,3	2	Gasket	PTFE / Grafoil
400,4	1	Gasket	PTFE
500,1	1	Lantern flange	Carbon steel
502	1	Spark proof ring	Bronze
505	1	Spacer	Carbon steel
529	1	Rotating bushing	SIC
545	1	Static bushing	SIC / Grafite / Peek
550,1	4	Washer	Aisi 304
550,3	1	Washer	Aisi 304
550,4	8	Washer	Aisi 304
847,1	1	Outer magnetic core	NdFeB
847,2	1	Internal magnetic core	NdFeB + Aisi 316L / Hastelloy-C
900,1	1	Screw	Aisi 304
902,2	4	Threaded stud	Aisi 304
902,3	8	Threaded stud	Aisi 304
912	1	Cap	Aisi 304 / Hastelloy-C
914,1	3	Screw	Aisi 316L
914,2	6	Screw	Aisi 304
920,3	4	Nut	Aisi 304
920,4	6	Nut	Aisi 304
922	1	Threaded nose cone	Aisi 316L / Hastelloy-C
932	1	Spring washer	Aisi 316L / Hastelloy-C
940,1	1	Key	Aisi 316L / Hastelloy-C
940,2	1	Bushing flange	Aisi 316L / Hastelloy-C
941	4	Cup spring	Aisi 316L / Hastelloy-C

C.D.R. Pompe S.p.A. Via P. Togliatti 26/A 20030-Senago (Mi)

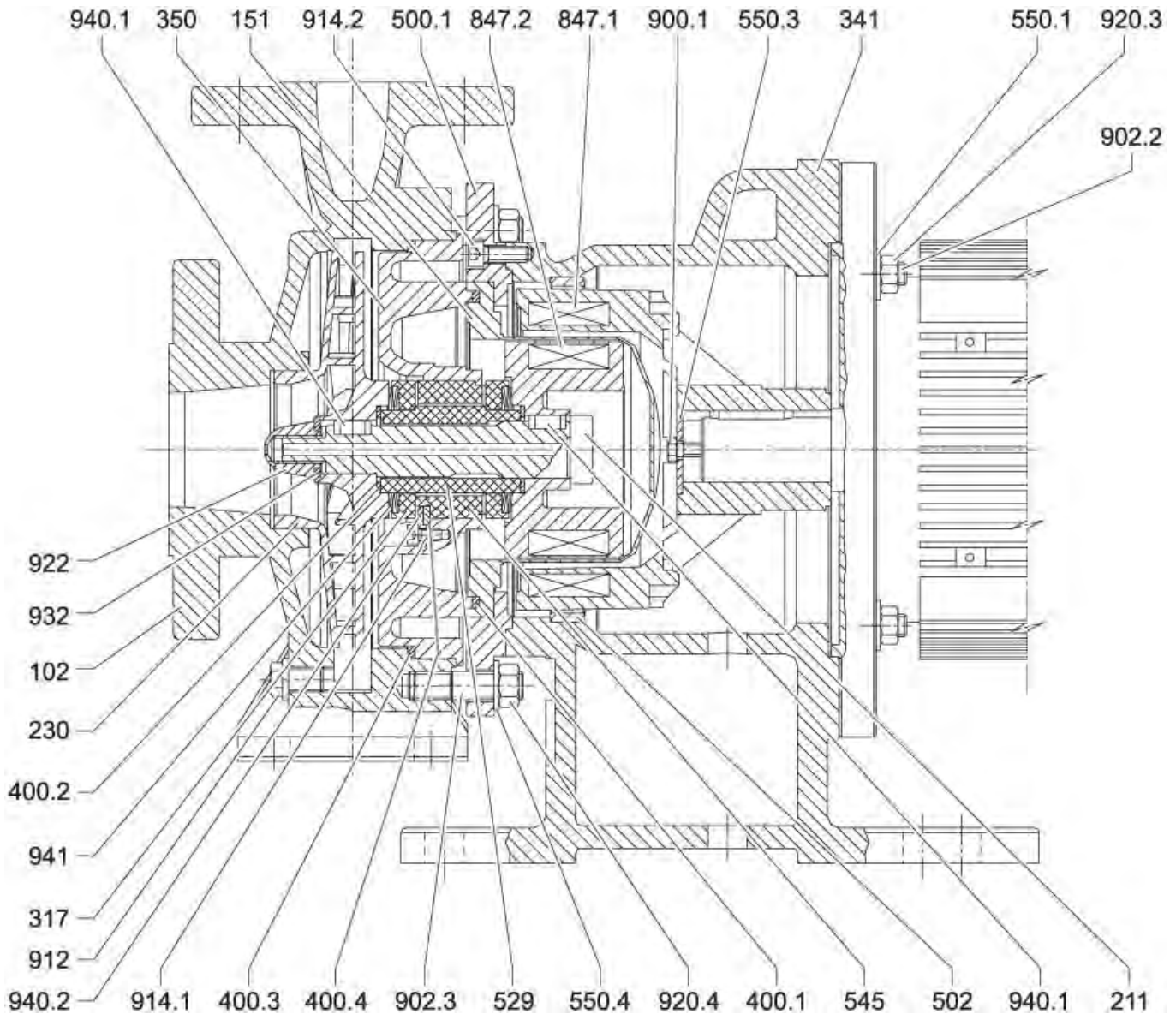
Tel. : +39 02 9901941 Fax: +39 02 9980606 Web: www.cdrpompe.com e-mail: exportsales@cdrpompe.com

This document is exclusive property of C.D.R. Pompe S.p.A. The same cannot be transferred to any third part without prior C.D.R. Pompe S.p.A. written authorization
Improvements and/or changes to this document may be made by C.D.R. Pompe S.p.A. at any time without notice



C.D.R. Pompe S.p.A. Via P. Togliatti 26/A 20030-Senago (Mi)

Tel. : +39 02 9901941 Fax: +39 02 9980606 Web: www.cdrpompe.com e-mail: exportsales@cdrpompe.com
This document is exclusive property of C.D.R. Pompe S.p.A. The same cannot be transferred to any third part without prior C.D.R. Pompe S.p.A. written authorization
Improvements and/or changes to this document may be made by C.D.R. Pompe S.p.A. at any time without notice



C.D.R. Pompe S.p.A. Via P. Togliatti 26/A 20030-Senago (Mi)

Tel. : +39 02 9901941 Fax: +39 02 9980606 Web: www.cdrpompe.com e-mail: exportsales@cdrpompe.com

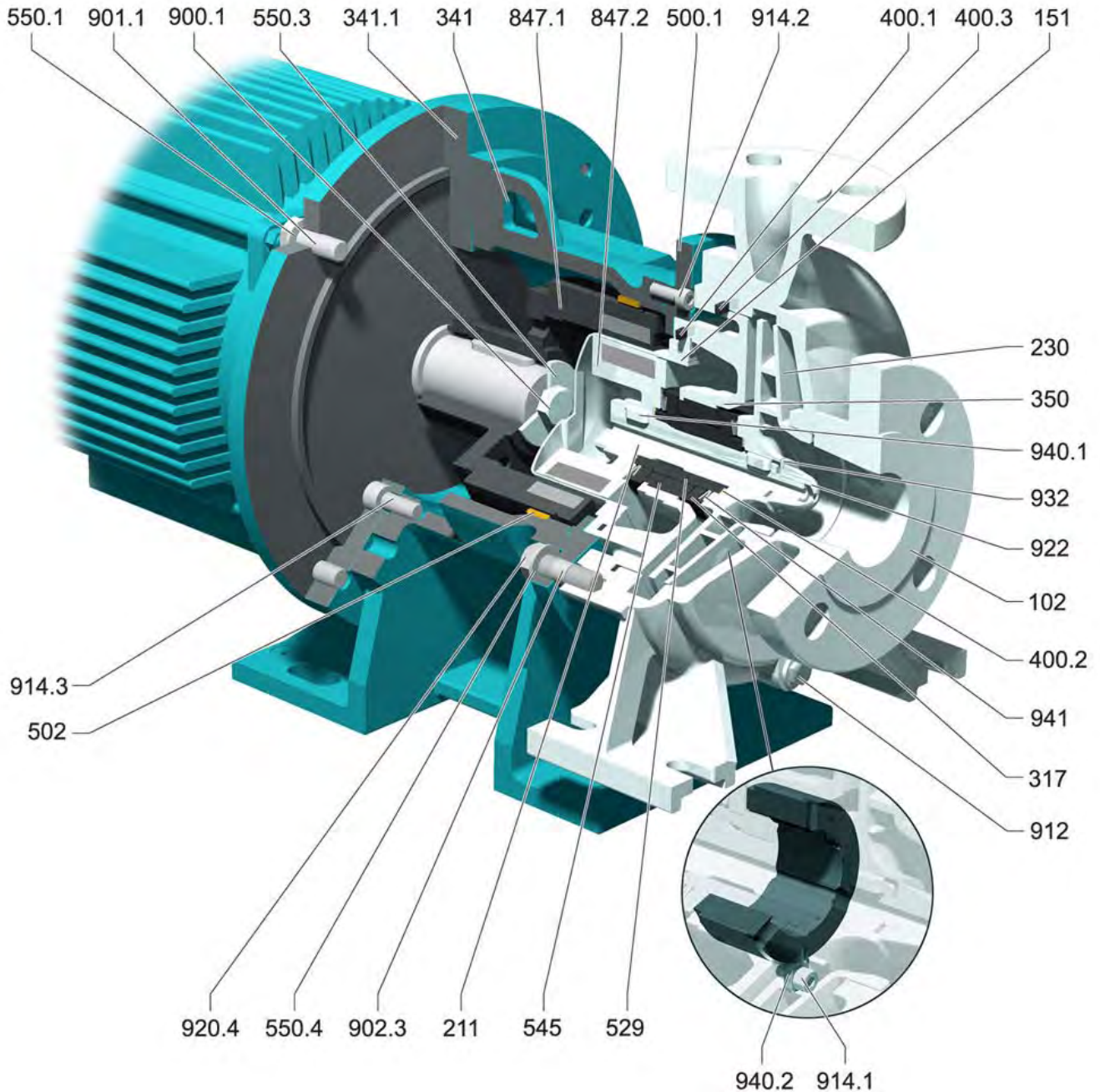
This document is exclusive property of C.D.R. Pompe S.p.A. The same cannot be transferred to any third part without prior C.D.R. Pompe S.p.A. written authorization
Improvements and/or changes to this document may be made by C.D.R. Pompe S.p.A. at any time without notice

Ref	Qty	Description	Materials
102	1	Pump casing	Aisi 316L / Hastelloy-C
151	1	Isolation shell	Aisi 316L / Hastelloy-C
211	1	Shaft	Aisi 316L / Hastelloy-C
230	1	Impeller	Aisi 316L / Hastelloy-C
317	2	Axial thrust shoe	SIC
341	1	Lantern	GS400-12 / Aisi 304
350	1	Bearing support	Aisi 316L / Hastelloy-C
400,1	2	Gasket	PTFE / Grafoil
400,2	1	Bushing gasket	PTFE
400,3	2	Gasket	PTFE / Grafoil
400,4	1	Gasket	PTFE
500,1	1	Lantern flange	Carbon steel
502	1	Spark proof ring	Bronze
529	1	Rotating bushing	SIC
545	1	Static bushing	SIC / Grafite / Peek
550,1	4	Washer	Aisi 304
550,3	1	Washer	Aisi 304
550,4	8	Washer	Aisi 304
847,1	1	Outer magnetic core	NdFeB
847,2	1	Internal magnetic core	NdFeB + Aisi 316L / Hastelloy-C
900,1	1	Screw	Aisi 304
902,2	4	Threaded stud	Aisi 304
902,3	8	Threaded stud	Aisi 304
912	1	Cap	Aisi 304 / Hastelloy-C
914,1	3	Screw	Aisi 316L
914,2	6	Screw	Aisi 304
920,3	8	Nut	Aisi 304
920,4	6	Nut	Aisi 304
922	1	Threaded nose cone	Aisi 316L / Hastelloy-C
932	1	Spring washer	Aisi 316L / Hastelloy-C
940,1	1	Key	Aisi 316L / Hastelloy-C
940,2	1	Bushing flange	Aisi 316L / Hastelloy-C
941	4	Cup spring	Aisi 316L / Hastelloy-C

C.D.R. Pompe S.p.A. Via P. Togliatti 26/A 20030-Senago (Mi)

Tel. : +39 02 9901941 Fax: +39 02 9980606 Web: www.cdrpompe.com e-mail: exportsales@cdrpompe.com

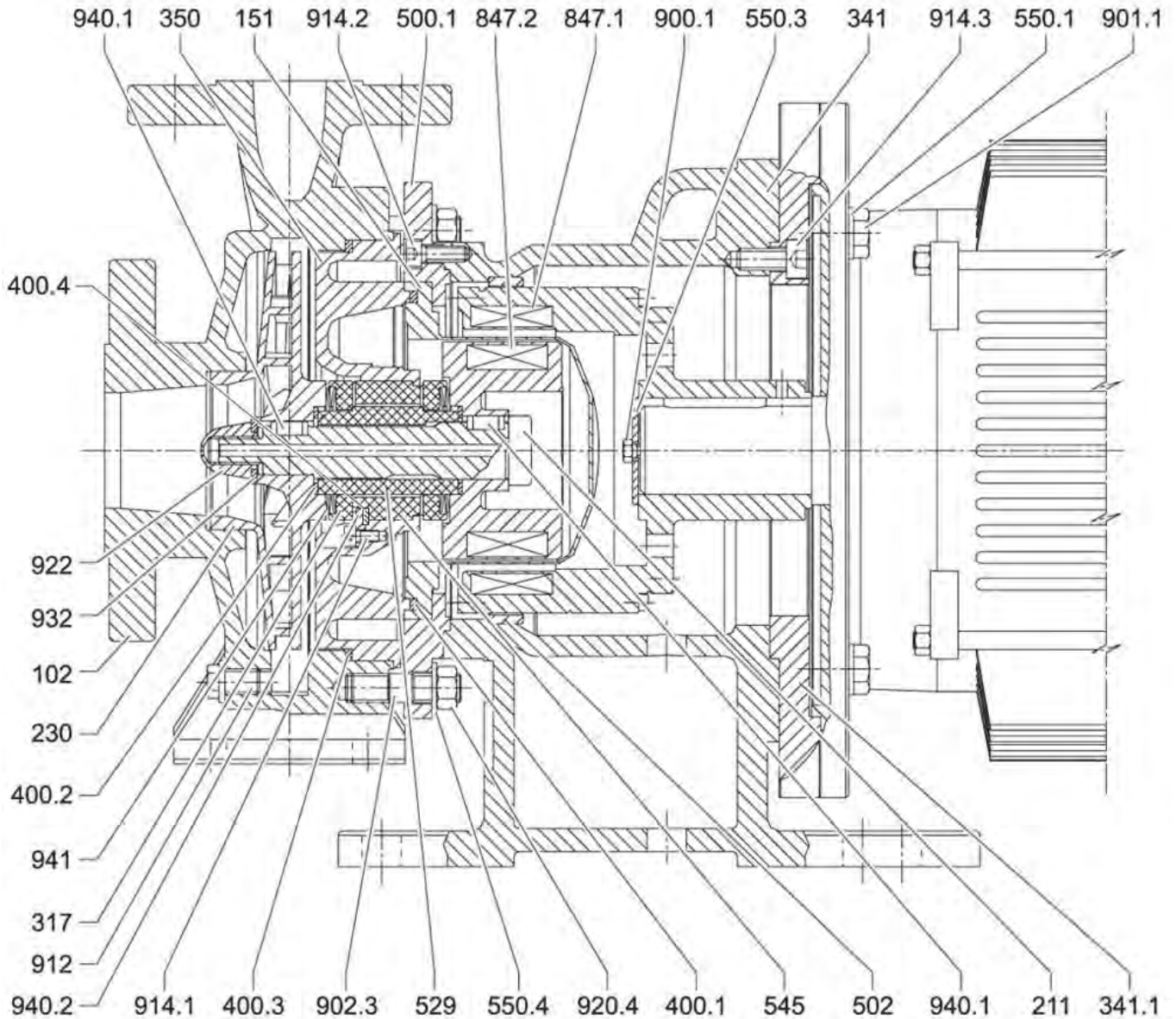
This document is exclusive property of C.D.R. Pompe S.p.A. The same cannot be transferred to any third part without prior C.D.R. Pompe S.p.A. written authorization
Improvements and/or changes to this document may be made by C.D.R. Pompe S.p.A. at any time without notice



C.D.R. Pompe S.p.A. Via P. Togliatti 26/A 20030-Senago (Mi)

Tel. : +39 02 9901941 Fax: +39 02 9980606 Web: www.cdrpompe.com e-mail: exportsales@cdrpompe.com

This document is exclusive property of C.D.R. Pompe S.p.A. The same cannot be transferred to any third part without prior C.D.R. Pompe S.p.A. written authorization
Improvements and/or changes to this document may be made by C.D.R. Pompe S.p.A. at any time without notice



C.D.R. Pompe S.p.A. Via P. Togliatti 26/A 20030-Senago (Mi)

Tel. : +39 02 9901941 Fax: +39 02 9980606 Web: www.cdrpompe.com e-mail: exportsales@cdrpompe.com

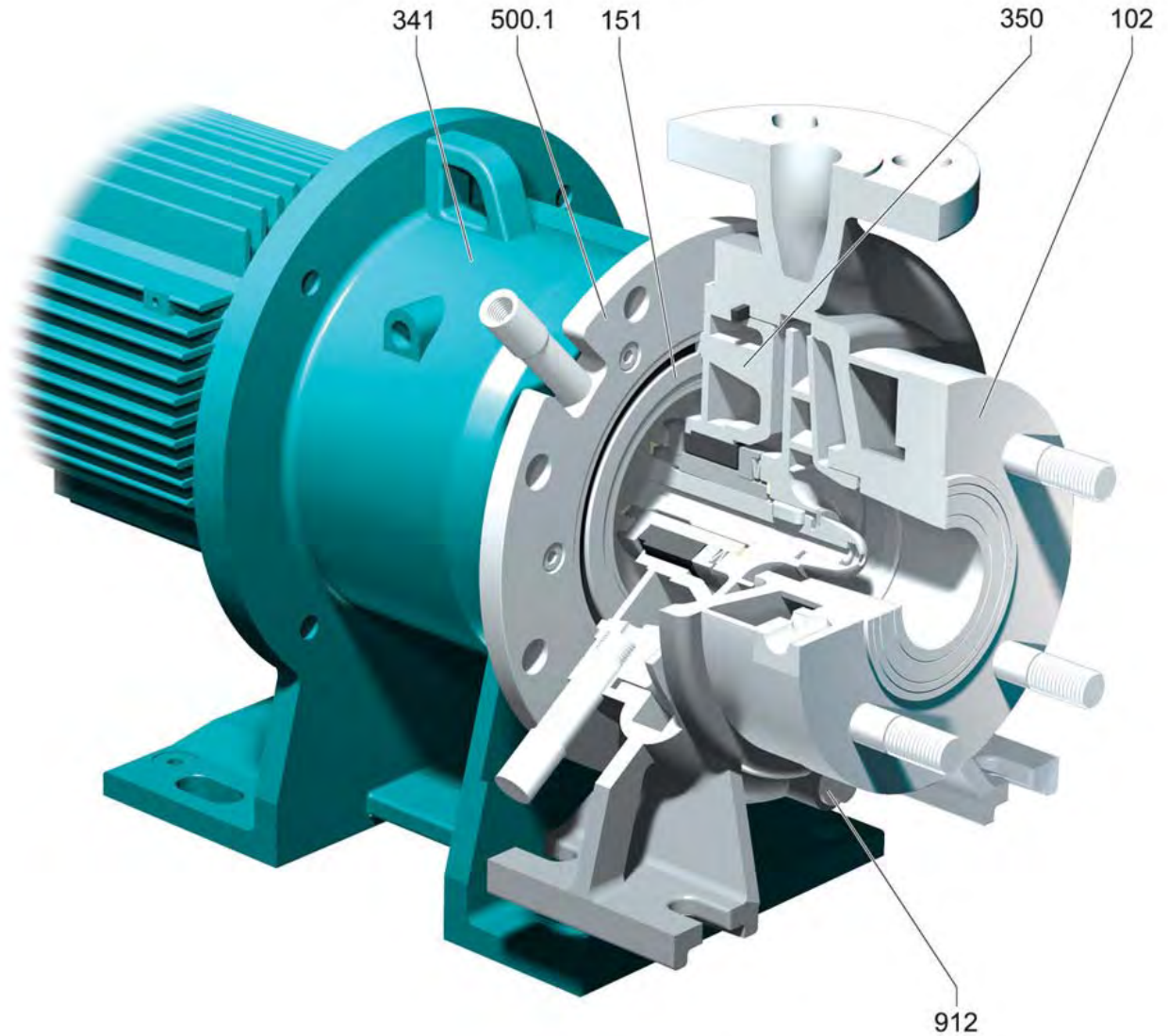
This document is exclusive property of C.D.R. Pompe S.p.A. The same cannot be transferred to any third part without prior C.D.R. Pompe S.p.A. written authorization
Improvements and/or changes to this document may be made by C.D.R. Pompe S.p.A. at any time without notice

Ref	Qty	Description	Materials
102	1	Pump casing	Aisi 316L / Hastelloy-C
151	1	Isolation shell	Aisi 316L / Hastelloy-C
211	1	Shaft	Aisi 316L / Hastelloy-C
230	1	Impeller	Aisi 316L / Hastelloy-C
317	2	Axial thrust shoe	SIC
341	1	Lantern	GS400-12 / Aisi 304
341,1	1	Motor flange	Carbon steel
350	1	Bearing support	Aisi 316L / Hastelloy-C
400,1	2	Gasket	PTFE / Grafoil
400,2	1	Bushing gasket	PTFE
400,3	2	Gasket	PTFE / Grafoil
400,4	1	Gasket	PTFE
500,1	1	Lantern flange	Carbon steel
502	1	Spark proof ring	Bronze
529	1	Rotating bushing	SIC
545	1	Static bushing	SIC / Grafite / Peek
550,1	4	Washer	Aisi 304
550,3	1	Washer	Aisi 304
550,4	8	Washer	Aisi 304
847,1	1	Outer magnetic core	NdFeB
847,2	1	Internal magnetic core	NdFeB + Aisi 316L / Hastelloy-C
900,1	1	Screw	Aisi 304
901,1	4	Screw	Aisi 304
902,3	4	Threaded stud	Aisi 304
912	1	Cap	Aisi 304 / Hastelloy-C
914,1	3	Screw	Aisi 316L
914,2	6	Screw	Aisi 304
914,3	4	Screw	Aisi 304
920,4	6	Nut	Aisi 304
922	1	Threaded nose cone	Aisi 316L / Hastelloy-C
932	1	Spring washer	Aisi 316L / Hastelloy-C
940,1	1	Key	Aisi 316L / Hastelloy-C
940,2	1	Bushing flange	Aisi 316L / Hastelloy-C
941	4	Cup spring	Aisi 316L / Hastelloy-C

C.D.R. Pompe S.p.A. Via P. Togliatti 26/A 20030-Senago (Mi)

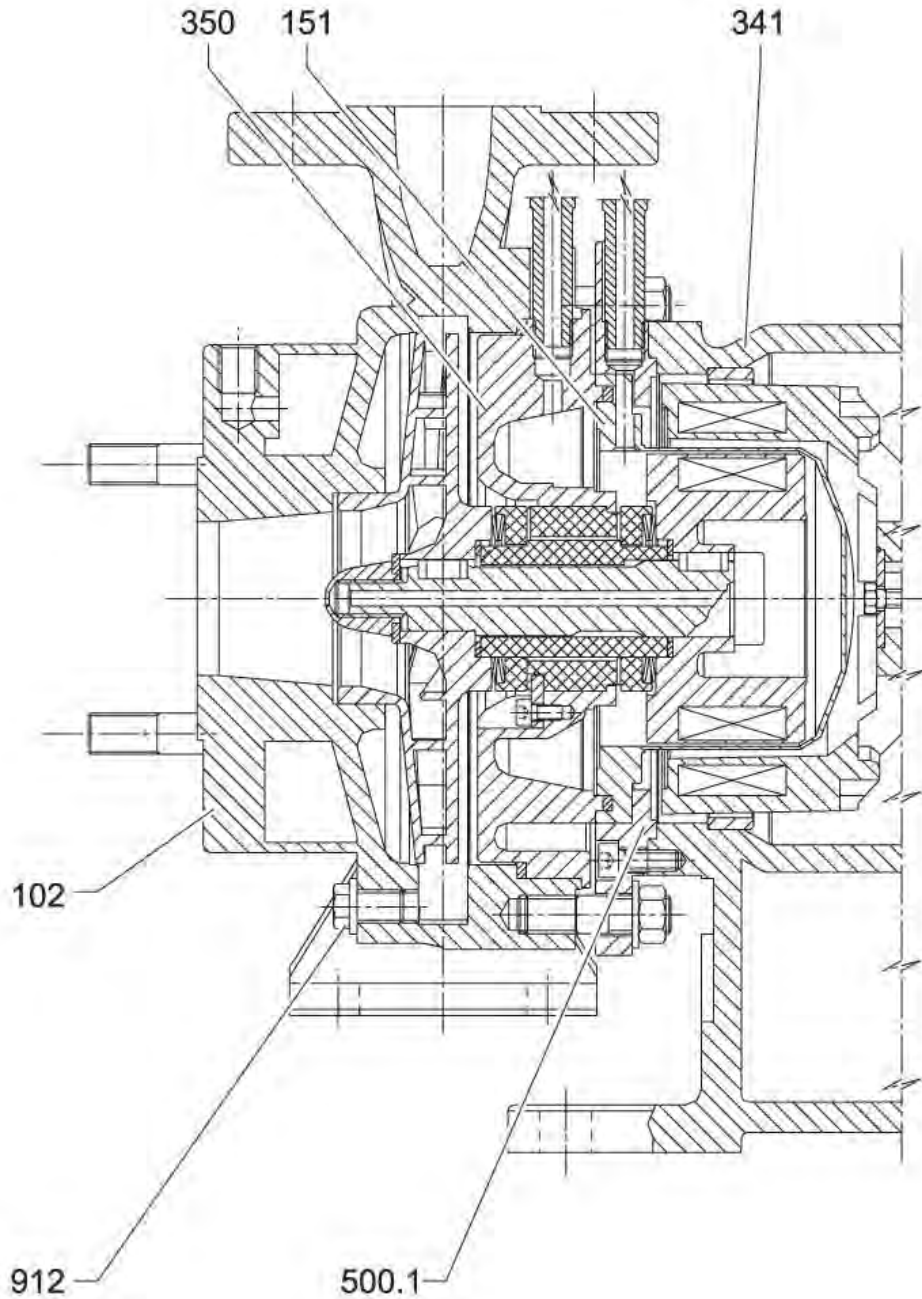
Tel. : +39 02 9901941 Fax: +39 02 9980606 Web: www.cdrpompe.com e-mail: exportsales@cdrpompe.com

This document is exclusive property of C.D.R. Pompe S.p.A. The same cannot be transferred to any third part without prior C.D.R. Pompe S.p.A. written authorization
Improvements and/or changes to this document may be made by C.D.R. Pompe S.p.A. at any time without notice



C.D.R. Pompe S.p.A. Via P. Togliatti 26/A 20030-Senago (Mi)

Tel. : +39 02 9901941 Fax: +39 02 9980606 Web: www.cdrpompe.com e-mail: exportsales@cdrpompe.com
This document is exclusive property of C.D.R. Pompe S.p.A. The same cannot be transferred to any third part without prior C.D.R. Pompe S.p.A. written authorization
Improvements and/or changes to this document may be made by C.D.R. Pompe S.p.A. at any time without notice



C.D.R. Pompe S.p.A. Via P. Togliatti 26/A 20030-Senago (Mi)

Tel. : +39 02 9901941 Fax: +39 02 9980606 Web: www.cdrpompe.com e-mail: exportsales@cdrpompe.com
This document is exclusive property of C.D.R. Pompe S.p.A. The same cannot be transferred to any third part without prior C.D.R. Pompe S.p.A. written authorization
Improvements and/or changes to this document may be made by C.D.R. Pompe S.p.A. at any time without notice

Ref	Qty	Description	Materials
102	1	Casing with heating jacket	Aisi 316L / Hastelloy-C
151	1	Isolation shell for thermocouple connection	Aisi 316L / Hastelloy-C
341	1	Lantern with flushing	GS400-12 / Aisi 304
350	1	Bushing support with heating jacket	Aisi 316L / Hastelloy-C
500,1	1	Lantern flange for thermocouple connection	Aisi 304
912	1	Cap	Aisi 316L / Hastelloy-C

C.D.R. Pompe S.p.A. Via P. Togliatti 26/A 20030-Senago (Mi)

Tel. : +39 02 9901941 Fax: +39 02 9980606 Web: www.cdrpompe.com e-mail: exportsales@cdrpompe.com

This document is exclusive property of C.D.R. Pompe S.p.A. The same cannot be transferred to any third part without prior C.D.R. Pompe S.p.A. written authorization.
Improvements and/or changes to this document may be made by C.D.R. Pompe S.p.A. at any time without notice